



Dynapac CA5000D


Single drum vibratory rollers





Technical data


 Masses	
Operating mass (incl. ROPS)	16,000 kg
Operating mass (incl. Cab)	16,200 kg
Module mass (front/rear)	10,700 kg/5,500 kg
Max. operating mass	18,700 kg


 Dimensions	
Drum width	2,130 mm


 Compaction	
Static linear load	50 kg/cm
Nominal amplitude (high/low)	2.1 mm/0.8 mm
Vibration frequency (high/low amplitude)	29 Hz/30 Hz
Centrifugal force (high/low amplitude)	330 kN/140 kN

 Hydraulic system	
Driving	Hydrostatic
Vibration	Hydrostatic
Steering	Hydrostatic
Service brake	Hydrostatic in forward and reverse lever.
Parking/Emergency brake	Failsafe multidisc brake in drum gear box and in rear axle.

 Engine	
Fuel tank capacity	272 l

 Engine	
Manufacturer/Model	Deutz TCD2012L06 (IIIA/3)
Type	Water cooled turbo Diesel
Rated power, ISO 14396	128 kW (174 hp) @ 2,200 rpm

 Engine	
Manufacturer/Model	Deutz TCD6,1L06 (IIIB/4i)
Type	Water cooled turbo Diesel
Rated power, ISO 14396	129 kW (175 hp) @ 2,200 rpm

 Traction	
Speed range (Dual/TC/AS)	4/6/7/11 km/h
Vertical oscillation	±9°
Tyre size (12 ply)	23,1 x 26 AW
Theor. gradeability	56 %

Find us locally at www.dynapac.com

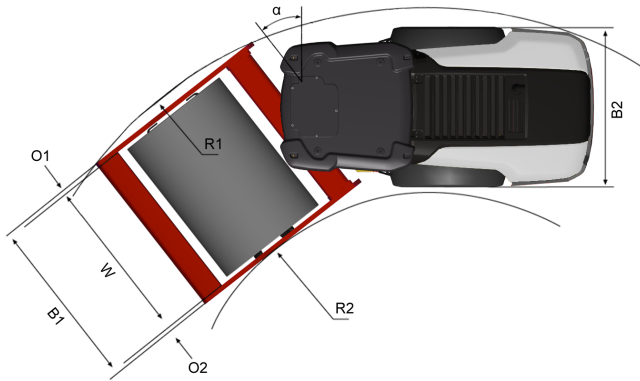
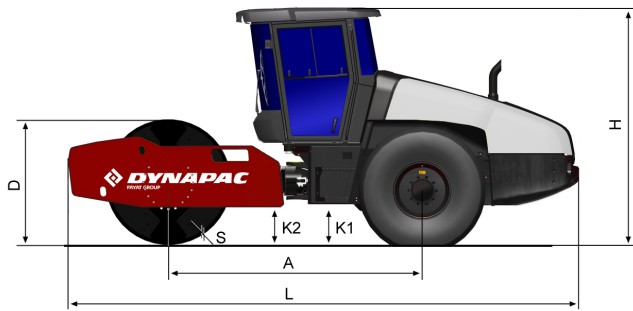
We reserve the right to change specifications without notice. Photos and illustrations do not always show standard versions of machines. The above information is a general description only, all informations are supplied without liability.

Dynapac CA5000D

Single drum vibratory rollers



Technical data



Dimensions	
A. Wheelbase	3,100 mm
B1. Width, front	2,340 mm
B2. Width, rear	2,130 mm
D. Drum diameter	1,536 mm
H1. Height, with ROPS/cab	2,890 mm
H2. Height, w/o ROPS/cab	2,130 mm
K1. Ground clearance	450 mm
K2. Curb clearance	450 mm
L. Length	6,240 mm
O1. Overhang, right	105 mm
O2. Overhang, left	105 mm
R1. Turning radius, outside	5,800 mm
R2. Turning radius, inside	3,300 mm
S. Drum shell thickness	43 mm
W. Drum width	2,130 mm
α. Steering angle	±38°

Find us locally at www.dynapac.com

We reserve the right to change specifications without notice. Photos and illustrations do not always show standard versions of machines. The above information is a general description only, all informations are supplied without liability.